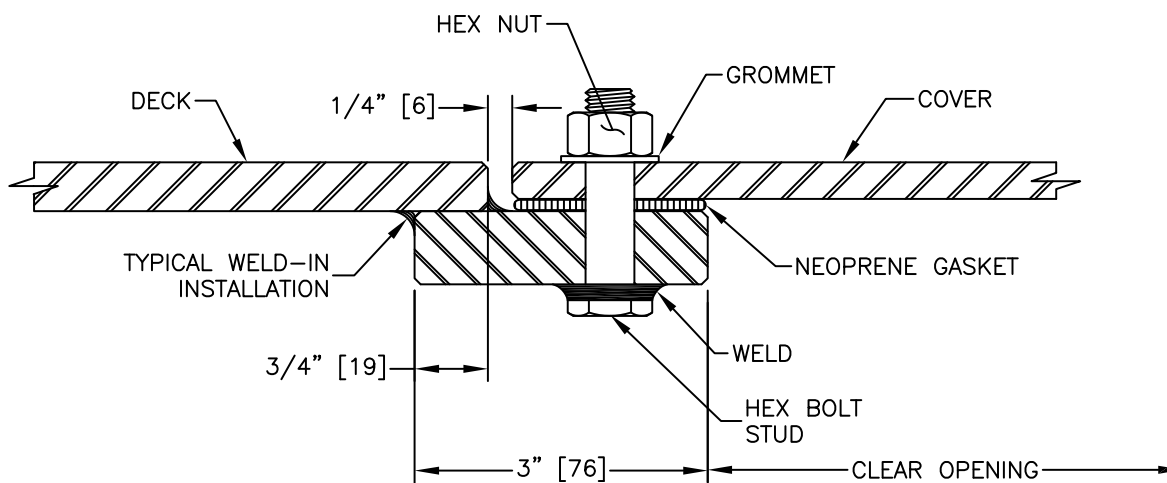
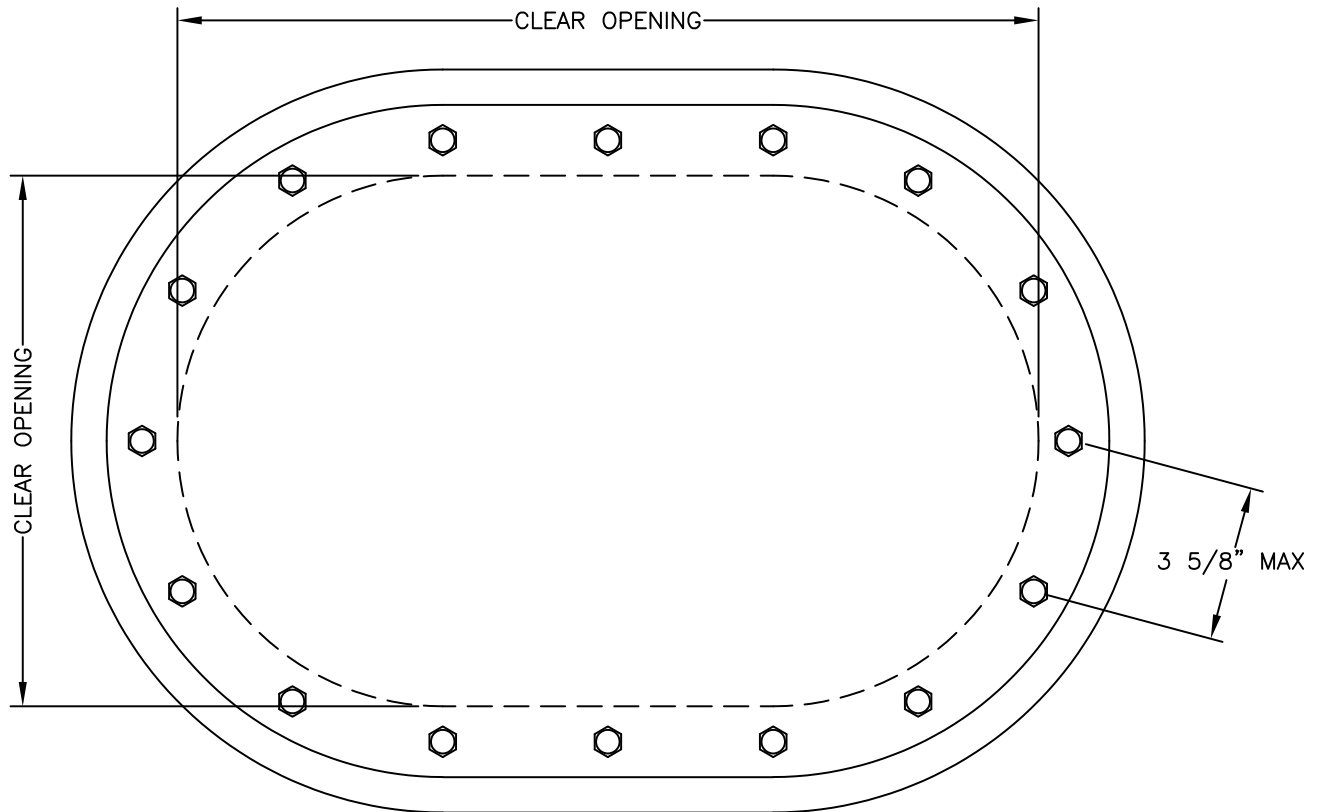




STANDARD CLEAR OPENINGS

15" X 23" [381 X 584]
18" X 24" [457 X 610]



SPECIFY ALUMINUM, STEEL, OR STAINLESS STEEL CONSTRUCTION.



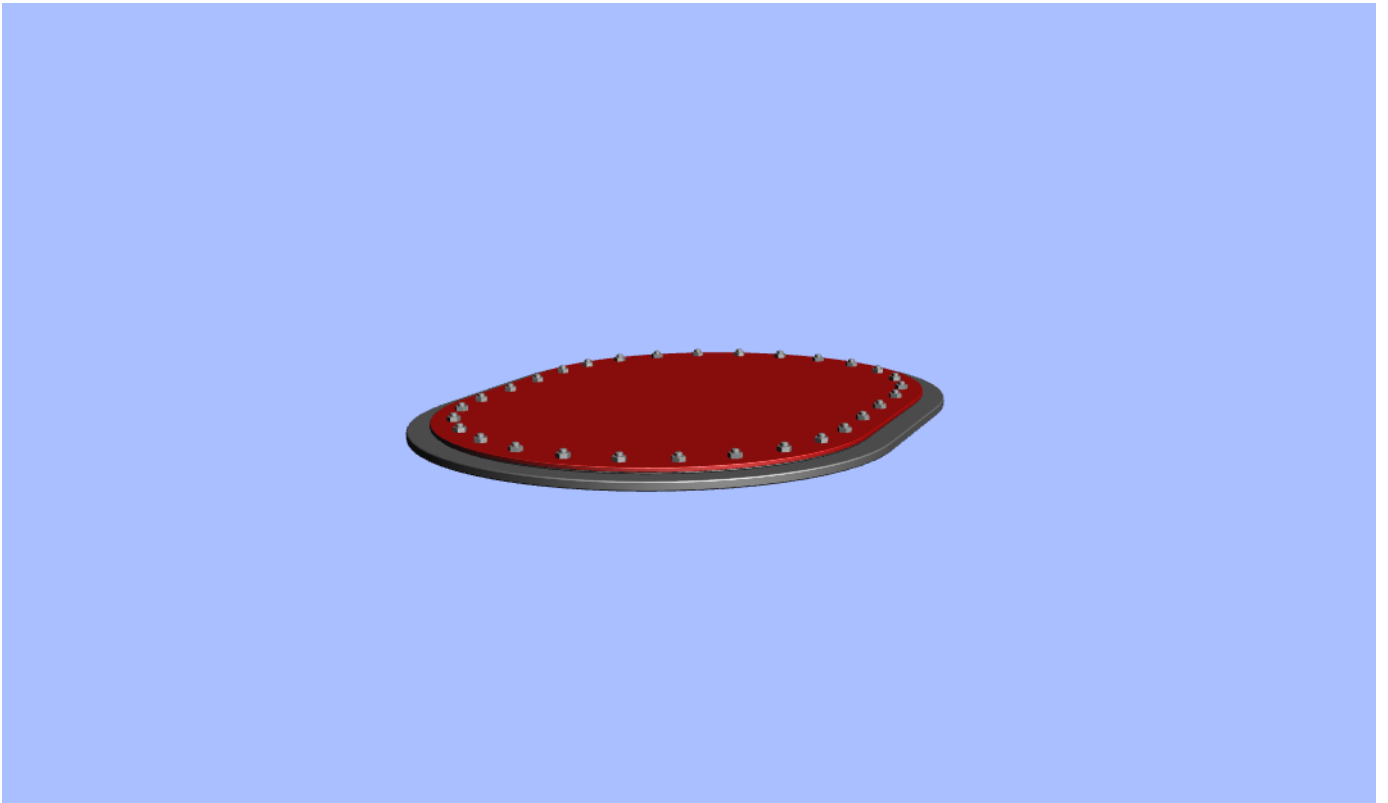
TITLE: WATERTIGHT
MANHOLE COVER

MODEL NO. PCM-5016-H

SCALE: NONE SHEET: 1 OF: 1

REV
—

3D-PDF Manhole PCM 5016H Size 381x584mm



3D-PDF Manhole PCM 5016H Size 457X610mm

