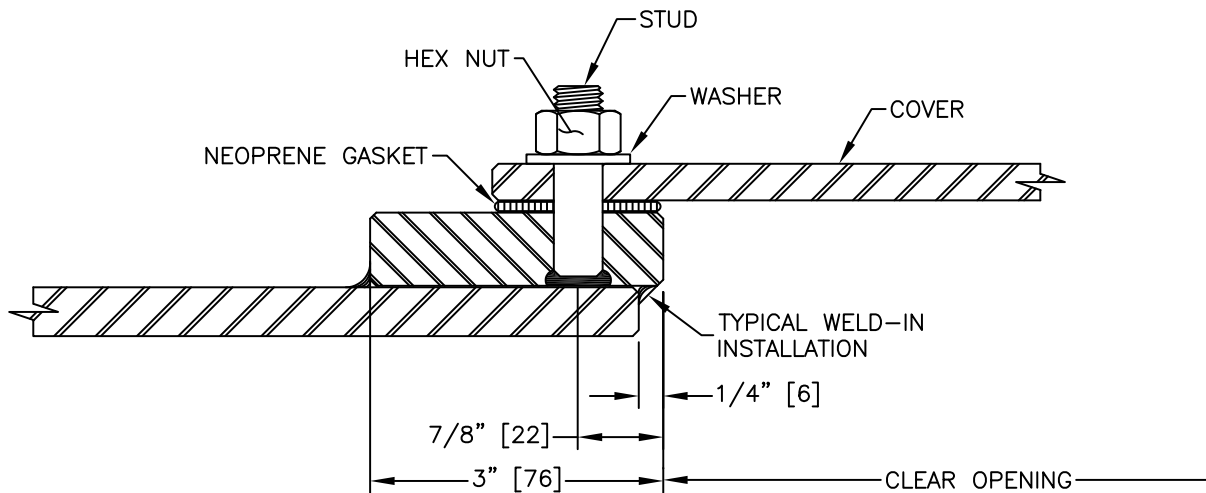
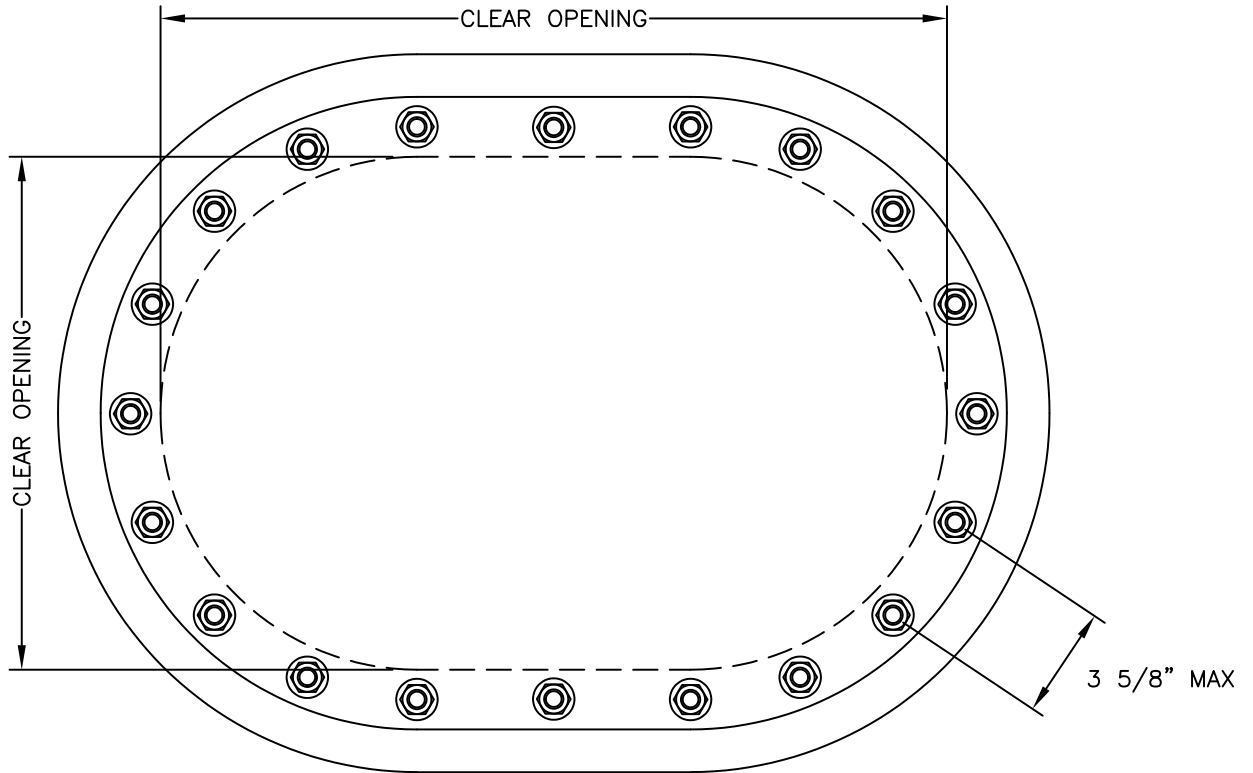


STANDARD CLEAR OPENINGS

15" X 23" [381 X 584]
 18" X 24" [457 X 610]



SPECIFY ALUMINUM, STEEL, OR STAINLESS STEEL CONSTRUCTION.



TITLE: BOLTED PLATE
 MANHOLE COVER

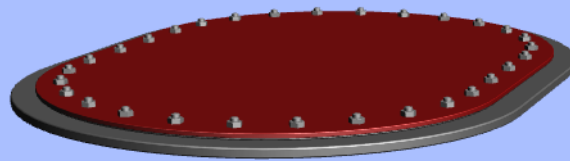
MODEL NO. PCM-5015-H

SCALE: NONE SHEET: 1 OF: 1

REV

—

3D-PDF Manhole PCM 5015H Size 381x584mm



3D-PDF Manhole PCM 5015H Size 457X610mm

