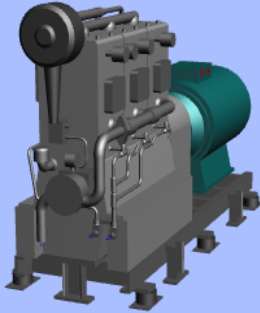


Compressor type  
**3D-Model**                      **W220, W280, W330, W420**



**Structural features:**

Two staged, vertical construction with two- or three-throw crankshaft, differential pistons, exchangeable, dry cylinder liners

**Valves:**

Combined suction and pressure valves in both stages

**Water cooling**

**Intercooler and aftercooler:**

Built-in tubular coolers

**Force feed lubrication:**

Gear pump directly driven by the crankshaft  
Oil pressure control by means of pressure gauge and pressure switch  
Oil level inspection glass  
Crankcase venting through vent filter on oil filler  
Lubrication of 1st stage by means of dosing pump with sight glass at the cylinders

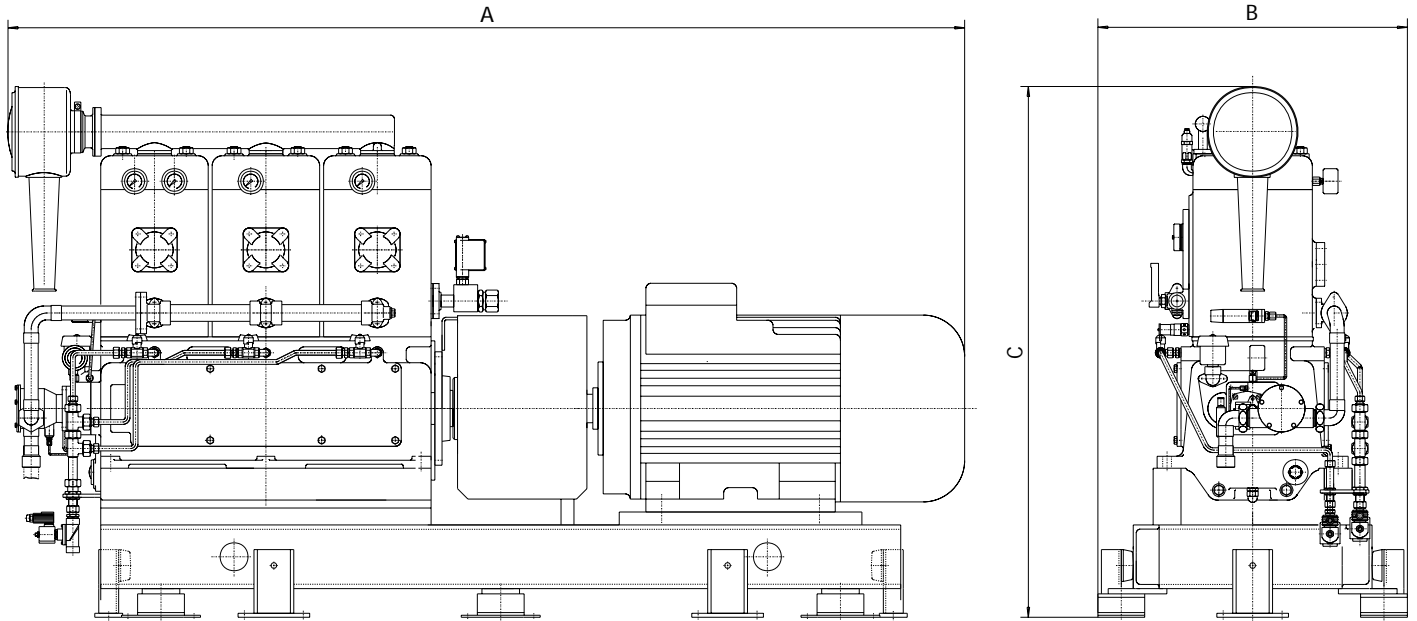
**Bearings:**

*Crankshaft:* Slide bearings  
*Connecting rod:* Slide bearings  
*Wrist pin:* Slide bearings

# Compressor type

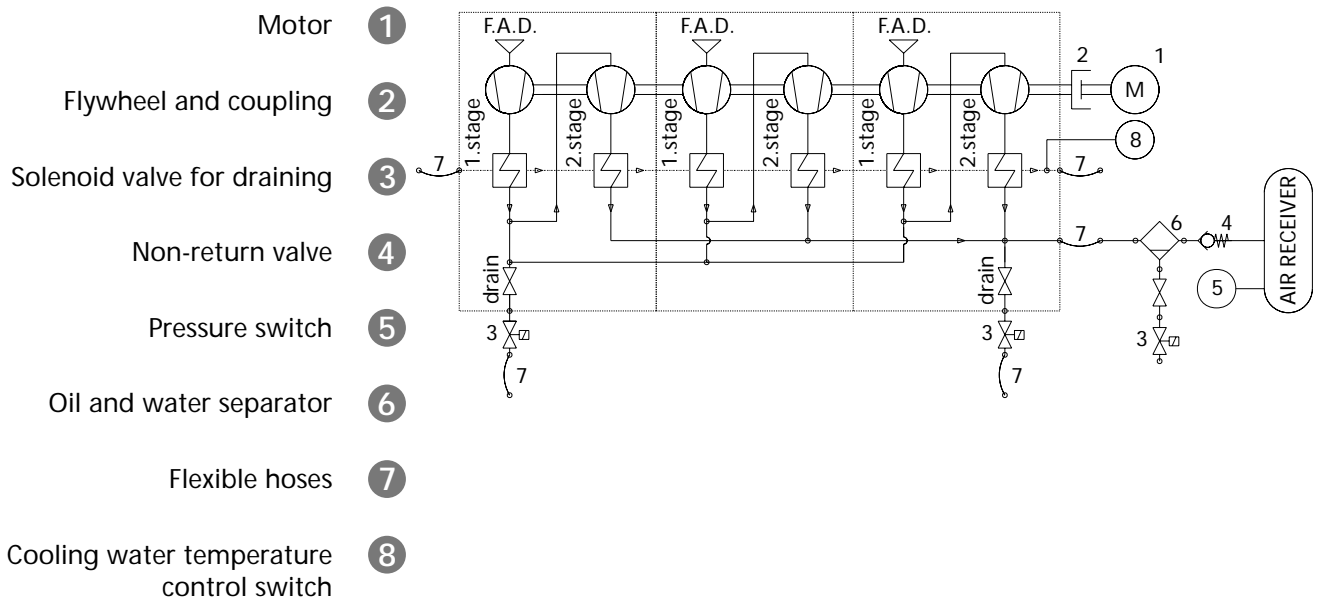
## W220, W280, W330, W420

# HATLAPA



TYPE	Cylinders	Stages	Speed	F.A.D.	Power	Weight incl. e-motor approx. kg	Dimensions		
			r.p.m.	m <sup>3</sup> /h	kW		A	B	C
W220	2	2	1150	166	33	1100	1825	700	1260
			1450	212	45	1100	1825	700	1260
			1750	260	59	1150	1901	700	1280
W280	2	2	1150	230	45	1300	2018	700	1300
			1450	290	62	1300	2018	700	1300
W330	3	2	1150	250	50	1600	2263	760	1350
			1450	318	68	1600	2263	760	1350
			1750	388	88	1600	2263	760	1350
W420	3	2	1150	346	70	1700	2333	760	1380
			1450	436	95	1900	2333	760	1380

All data apply to a final pressure of 30 bar. The right for alteration of specification and data to incorporate improvements in design is reserved.



# Drawings Compressor type W220,W280,W330,W420

